

Couplers

RECEIVER COUPLERS

- Extremely Low Insertion Loss, Stripline Design
- High Directivity
- Low VSWR
- New Type N Connector Models



SPECIFICATIONS

FREQ RANGE (MHz)	MODEL NO.	COUPLING (dB)	DIRECTIVITY dB (Min)	INSERTION LOSS dB (Max)	VSWR		FREQ. ^b SENSITIVITY dB (Max)	POWER INPUT (Watts)	REFLECTED POWER		CONN	WEIGHT Gr
					PRIMARY LINE (Max)	SECONDARY LINE (Max)			AVERAGE Watts (Max)	PEAK kW (Max)		
500-1000	4011C-10	10 ±1.25	25.0	0.80	1.15	1.15	±0.75	50	5	3	SMA	37
500-1000	4011C-20	20 ±1.25 ^a	25.0	0.20	1.15	1.15	±0.75	50	50	3	SMA	34
800-980	3011-10	10 ±1.25	20.0	0.70	1.15	1.15	±0.75	50	5	3	N	100
800-980	3011-20	20 ±1.25	20.0	0.20	1.07	1.15	±0.75	50	50	3	N	100
1000-2000	4012C-6	6 ±1.00	25.0	1.80	1.10	1.15	±0.60	50	2	3	SMA	26
1000-2000	4012C-10	10 ±1.25	20.0	0.90	1.10	1.10	±0.75	50	5	3	SMA	26

FREQ RANGE (GHz)	MODEL NO.	COUPLING (dB) ^c	DIRECTIVITY dB (Min)	TRUE INSERTION LOSS dB (Max)	VSWR		FREQ. ^b SENSITIVITY dB (Max)	REFLECTED POWER		CONN	WEIGHT Gr
					PRIMARY LINE (Max)	SECONDARY LINE (Max)		AVERAGE Watts (Max)	PEAK kW (Max)		
1.0 - 12.4	4202B-6	6 ±1.5	12	2.00	1.35	1.50	±0.5	20	3	SMA	80
1.0 - 12.4	4202B-10	10 ±1.5	12	1.30	1.35	1.50	±0.5	20	3	SMA	83
1.0 - 12.4	4202B-20	20 ±1.5	15	0.75	1.35	1.50	±0.5	20	3	SMA	83
1.0 - 12.4	3202B-10	10 ±1.5	12	1.30	1.35	1.50	±0.5	20	3	N	128
1.0 - 12.4	3202B-20	20 ±1.5	15	1.05	1.35	1.50	±0.5	20	3	N	128

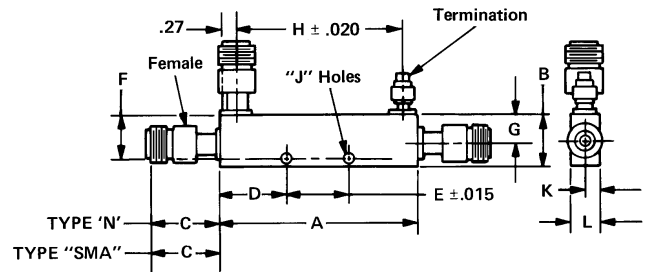
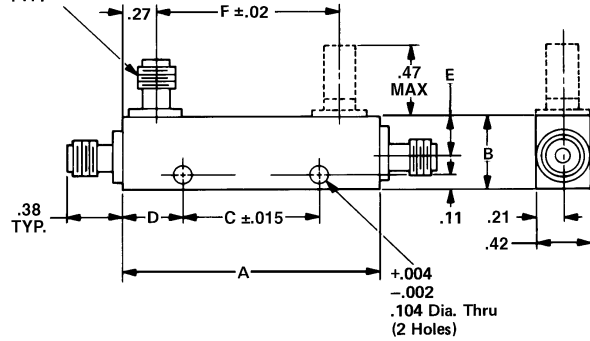
NOTES

- 30 dB coupling also available upon request
- Frequency sensitivity is included in coupling variation
- Coupling is referenced to output port

Couplers

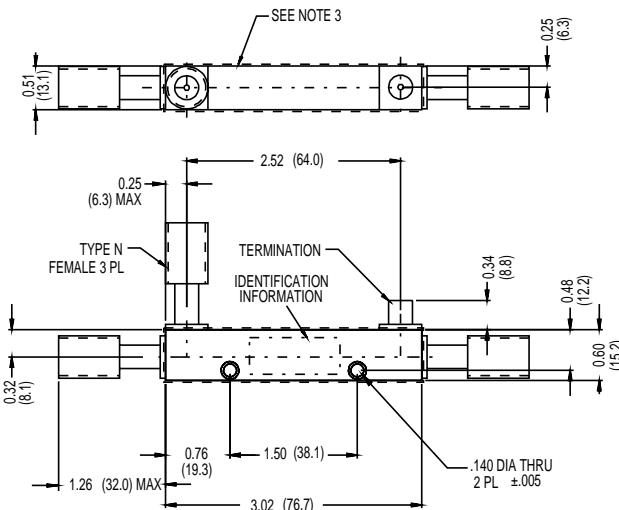
OUTLINE DRAWINGS

Type SMA
Stainless Steel
Female Connectors
TYP.



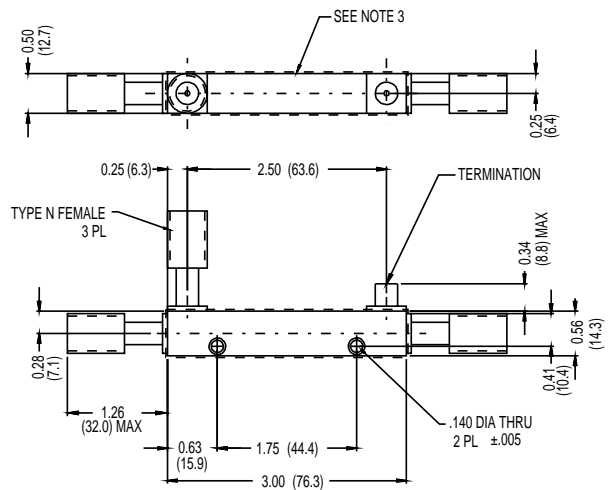
MODEL	A	B	C	D	E	F
4011C-10	3.06	.58	1.500	.78	.34	2.52
4011C-20	3.04	.55	1.750	.65	.30	2.50
4012C-6	1.82	.55	.938	.44	.30	1.28
4012C-10, -20	1.82	.55	.938	.44	.30	1.28
4012C-30	1.82	.58	.938	.44	.34	1.28

MODEL	A	B	C	D	E	F	G	H	K	L	"J" HOLES
3202B-10	3.24	.88	1.10	1.12	1.000	.71	.48	2.717	.28	.57	.104 +.004 -.002
4202B-6, -10	3.24	.88	0.38	1.12	1.000	.71	.48	2.717	.28	.57	
3202B-20	3.48	.73	1.10	.58	2.319	.62	.44	2.943	.28	.56	
4202B-20	3.48	.73	.38	.58	2.319	.62	.44	2.943	.28	.56	



NOTES:
1. TOL: XX±.02
2. DIMENSIONS IN PARATHESSES () ARE IN MILLIMETERS.
3. DOTTED LINE REPRESENTS .02 MAX BUILD UP OF SEALANT.

3011-10



NOTES:
1. TOL: XX±.02
2. DIMENSIONS IN PARATHESSES () ARE IN MILLIMETERS.
3. DOTTED LINE REPRESENTS .02 MAX BUILD UP OF SEALANT.

3011-20